

AIR PREPARATION

Particulate Filters

WILKERSON



Features:

- Bowl guard (08, 12, 18, 28)
- High flow capacities
- Light weight
- 5 Micron standard filtration

Specifications:

- Maximum Operating Temperature:
Plastic Bowl: 125° F (52° C)
- Maximum Supply Pressure
Plastic Bowl: 150 PSIG (10 bar)
Metal Bowl: 250 PSIG (17 bar)
F39 Metal Bowl: 150 PSIG (10 bar)
- High Flow Capacity
F08: 1/8" 25 scfm 1/4" 50 scfm
F12: 1/4" 50 scfm 3/8" 58 scfm
F18: 1/4" 110 scfm 3/8" 120 scfm 1/2" 145 scfm
F28: 1/2" 160 scfm 3/4" 165 scfm
F39: 3/4" 270 scfm 1" 280 scfm

Materials of Construction:

- Body: Zinc (08, 12, 18, 28)
- F39 Body: Aluminum
- Plastic Bowl: Polycarbonate
- F39 Metal Bowl: Aluminum
- Filter Element: Sintered Polyethelene
- F12 Filter Element: Plastic
- Seals: Nitrile

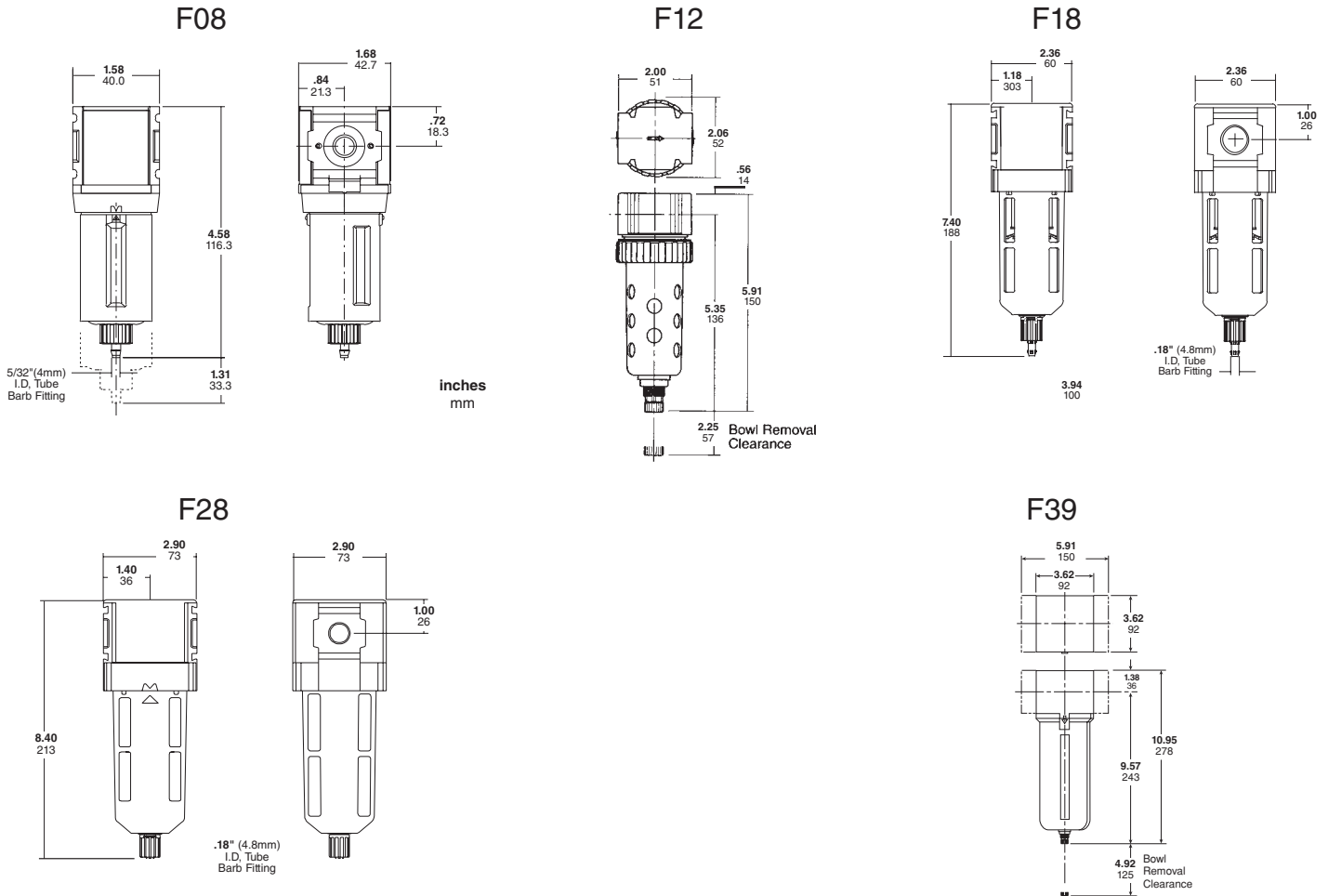
3

Model No.	Series	Pipe Size	Filter	Description
F08-01-SK00	Miniature	1/8"	5 micron	Plastic bowl, w/guard, Manual drain, NPT Thread
F08-02-SK00	Miniature	1/4"	5 micron	Plastic bowl, w/guard, Manual drain, NPT Thread
F12-02-SK00	SubCompact	1/4"	5 micron	Plastic bowl, w/guard, Manual drain, NPT Thread
F12-03-SK00	SubCompact	3/8"	5 micron	Plastic bowl, w/guard, Manual drain, NPT Thread
F18-02-SK00	Compact	1/4"	5 micron	Plastic bowl, w/guard, Manual drain, NPT Thread
F18-03-SK00	Compact	3/8"	5 micron	Plastic bowl, w/guard, Manual drain, NPT Thread
F18-04-SK00	Compact	1/2"	5 micron	Plastic bowl, w/guard, Manual drain, NPT Thread
F28-04-SK00	Standard	1/2"	5 micron	Plastic bowl, w/guard, Manual drain, NPT Thread
F28-06-SK00	Standard	3/4"	5 micron	Plastic bowl, w/guard, Manual drain, NPT Thread
F39-06-SL00	Jumbo	3/4"	5 micron	Metal bowl, no guard, Manual drain, NPT Thread
F39-08-SL00	Jumbo	1"	5 micron	Metal bowl, no guard, Manual drain, NPT Thread

See Next Page for Dimensional Drawings

AIR PREPARATION

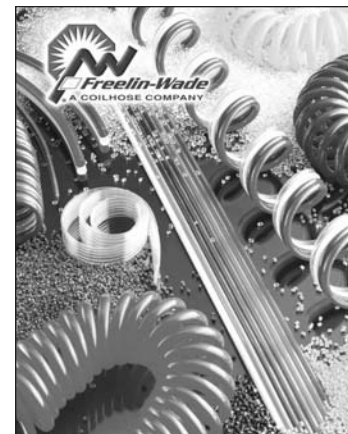
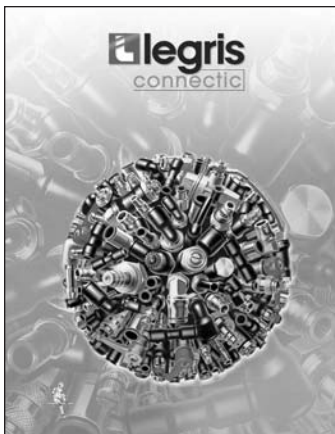
Particulate Filters - Continued from page 3-2



3

See page 3-12 for Wilkerson Accessories

Action has fittings, tubing and accessories needed to complete your air prep system. Please refer to Section 4 of our Instock Catalog for **next day delivery** on these items. For a more complete listing of what Action has to offer, please call **800-783-5161** to request these product catalogs:



AIR PREPARATION

WILKERSON

Coalescing Filters - Wilkerson Corporation

Features:

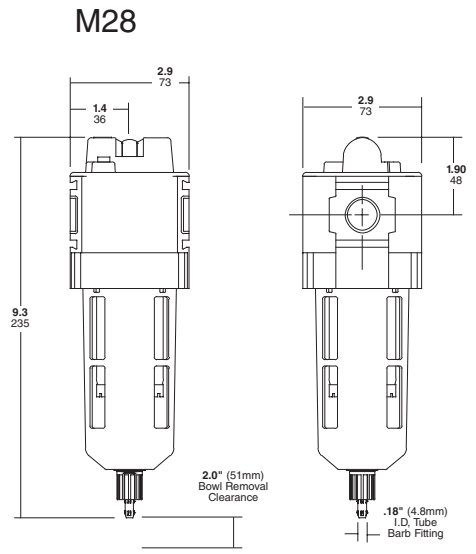
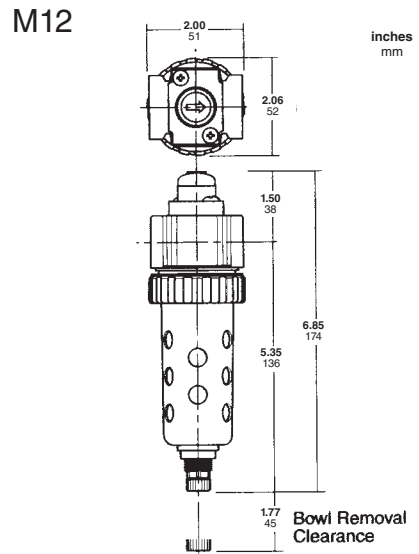
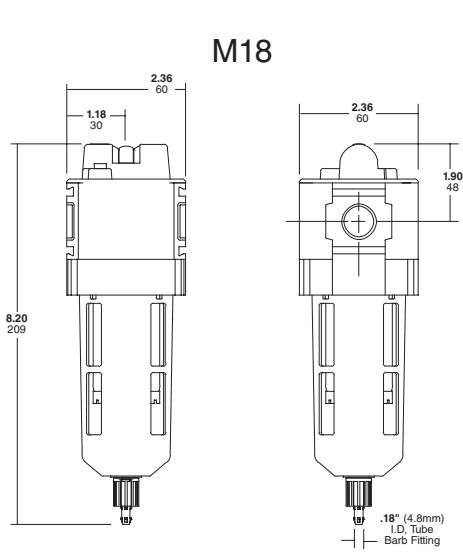
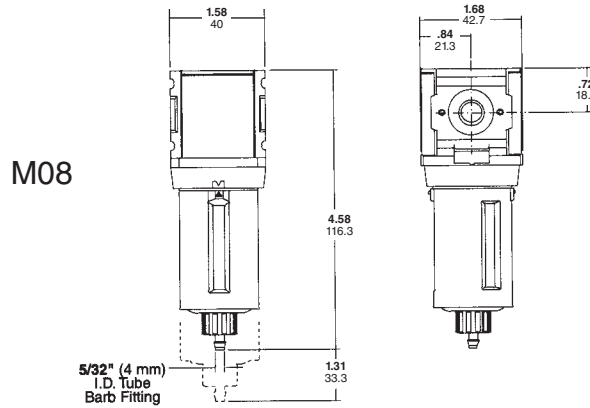
- High efficiency removal of water, oil aerosols, and solid particulate contaminants down to 0.01 ppm/wt with minimum pressure drop (0.1 ppm/wt for M12 only)
- Light weight
- High flow capacities
- Bowl guard

Materials of Construction:

- Body: Zinc
- Plastic Bowl: Polycarbonate
- Seals: Nitrile

Specifications:

- Maximum Operating Temperature:
Plastic Bowl: 125° F (52° C)
- Maximum Supply Pressure
Plastic Bowl: 150 PSIG (10.3 bar)
- High Flow Capacity
M08: 1/4" 11.0 scfm
M12: 1/4" 30 scfm 3/8" 30 scfm
M18: 1/4" 40 scfm 3/8" 44 scfm 1/2" 48 scfm
M28: 1/2" 90 scfm 3/4" 98 scfm



Model No.	Series	Pipe Size	Type	Description
M08-02-CK00	SubCompact	1/4"	0.01 micron/Oil-Removing	Plastic bowl, w/guard, Manual drain, NPT Thread
M12-02-CK00	SubCompact	1/4"	0.01 micron/Oil-Removing	Plastic bowl, w/guard, Manual drain, NPT Thread
M12-03-CK00	SubCompact	3/8"	0.01 micron/Oil-Removing	Plastic bowl, w/guard, Manual drain, NPT Thread
M18-02-CK00	Compact	1/4"	0.01 micron/Oil-Removing	Plastic bowl, w/guard, Manual drain, NPT Thread
M18-03-CK00	Compact	3/8"	0.01 micron/Oil-Removing	Plastic bowl, w/guard, Manual drain, NPT Thread
M18-04-CK00	Compact	1/2"	0.01 micron/Oil Removing	Plastic bowl, w/guard, Manual drain, NPT Thread
M28-04-CK00	Standard	1/2"	0.01 micron/Oil-Removing	Plastic bowl, w/guard, Manual drain, NPT Thread
M28-06-CK00	Standard	3/4"	0.01 micron/Oil-Removing	Plastic bowl, w/guard, Manual drain, NPT Thread

See Page 3-12 for Wilkerson Accessories

AIR PREPARATION

Filter Regulator Units - Wilkerson Corporation

WILKERSON



Features:

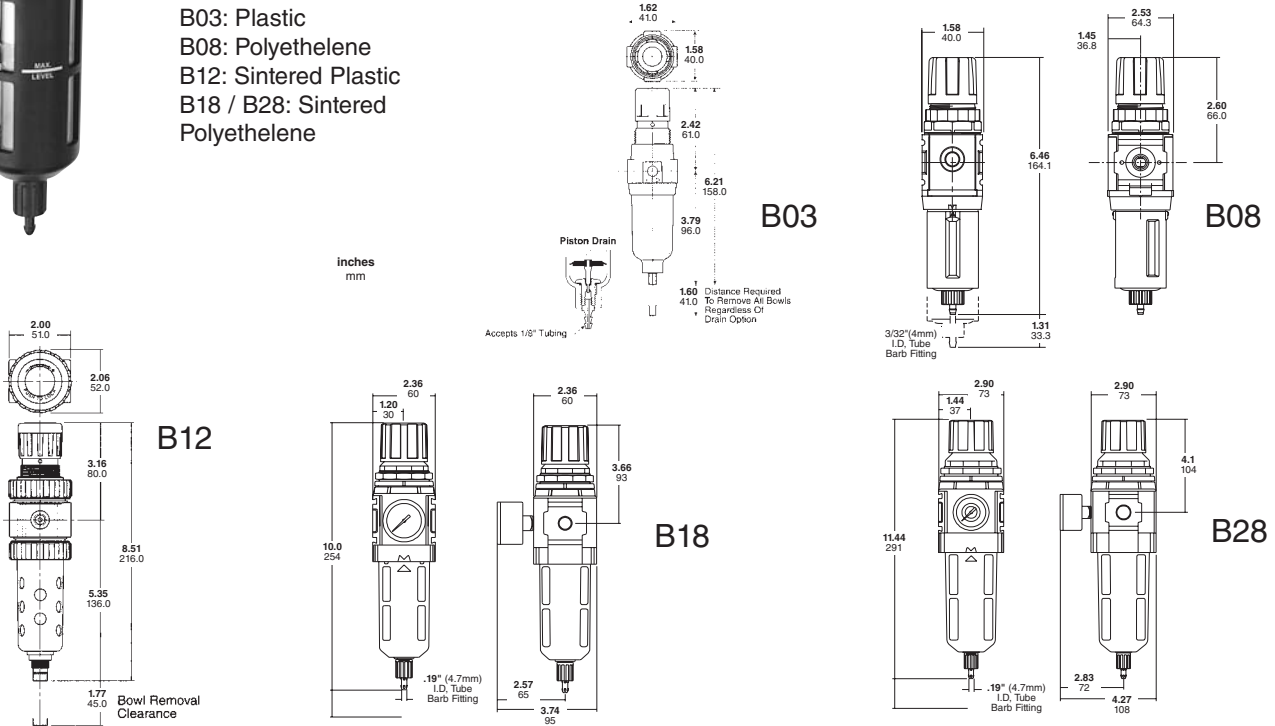
- Lightweight
- High flow capacities
- 5 Micron standard filtration (B03, B08, B18, B28)
- 40 Micron filtration (B12 only)

Materials of Construction:

- Body: Zinc
- Plastic Bowl: Polycarbonate
- Filter Element:
 - B03: Plastic
 - B08: Polyethelene
 - B12: Sintered Plastic
 - B18 / B28: Sintered Polyethelene

Specifications:

- Max. Operating Temperature: 125° F (52° C)
- Max. Supply Pressure: 150 PSIG (10 bar)
- High Flow Capacity:
 - B03: 1/8" 16 SCFM; 1/4" 18 SCFM
 - B08: 1/8" 28.6 SCFM; 1/4" 42.1 SCFM
 - B12: 1/8" 25 SCFM; 1/4" 28 SCFM; 3/8" 30 SCFM
 - B18: 1/4" 88 SCFM; 3/8" 117 SCFM; 1/2" 121 SCFM
 - B28: 1/2" 165 SCFM; 3/4" 175 SCFM



3

Model Number	Series	Pipe Size	Spring Range	Type	Gauge	Description
B03-01-0000	Miniature	1/8"	2-125 PSIG	Relieving	N/A	Plastic bowl, w/guard; Manual drain, NPT Thread
B03-02-0000	Miniature	1/4"	2-125 PSIG	Relieving	N/A	Plastic bowl, w/guard; Manual drain, NPT Thread
B03-01-G000	Miniature	1/8"	2-125 PSIG	Relieving	0-160	Plastic bowl, w/guard; Manual drain, NPT Thread
B03-02-G000	Miniature	1/4"	2-125 PSIG	Relieving	0-160	Plastic bowl, w/guard; Manual drain, NPT Thread
B08-01-FKG0	Miniature	1/8"	0-125 PSI	Relieving	0-160	Plastic bowl, w/guard, Manual drain, NPT Thread
B08-02-FKG0	Miniature	1/4"	0-125 PSI	Relieving	0-160	Plastic bowl, w/guard, Manual drain, NPT Thread
B12-02-FKG0	SubCompact	1/4"	0-125 PSI	Relieving	0-160	Plastic bowl, w/guard, Manual drain, NPT Thread
B12-03-FKG0	SubCompact	3/8"	0-125 PSI	Relieving	0-160	Plastic bowl, w/guard, Manual drain, NPT Thread
B18-02-FKG0	Compact	1/4"	0-125 PSI	Relieving	0-160	Plastic bowl, w/guard, Manual drain, NPT Thread
B18-03-FKG0	Compact	3/8"	0-125 PSI	Relieving	0-160	Plastic bowl, w/guard, Manual drain, NPT Thread
B18-04-FKG0	Compact	1/2"	0-125 PSI	Relieving	0-160	Plastic bowl, w/guard, Manual drain, NPT Thread
B28-04-FKG0	Standard	1/2"	0-125 PSI	Relieving	0-160	Plastic bowl, w/guard, Manual drain, NPT Thread
B28-06-FKG0	Standard	3/4"	0-125 PSI	Relieving	0-160	Plastic bowl, w/guard, Manual drain, NPT Thread

See Page 3-12 for Wilkerson Accessories

AIR PREPARATION

WILKERSON

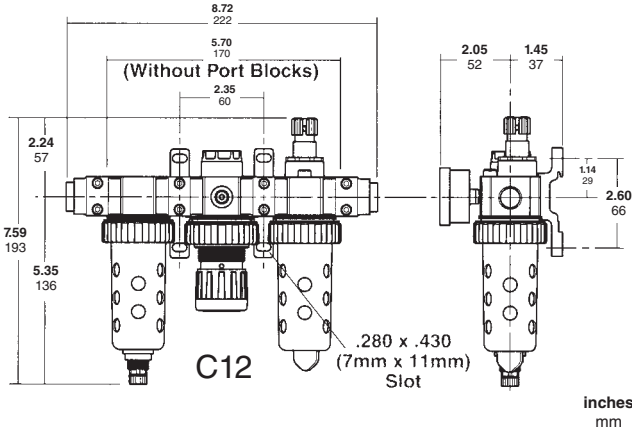
Combination Units F-R-L's - Wilkerson Corporation

Features:

- Comes standard with pressure gauge & modular T-bracket/Joiner assembly (C18, C28 only)
- Regulator can be mounted with knob in up or down position (C12 only)
- High flow capacities
- 5 Micron standard filtration (C18, C28 only)
- 40 Micron filtration (C12 only)

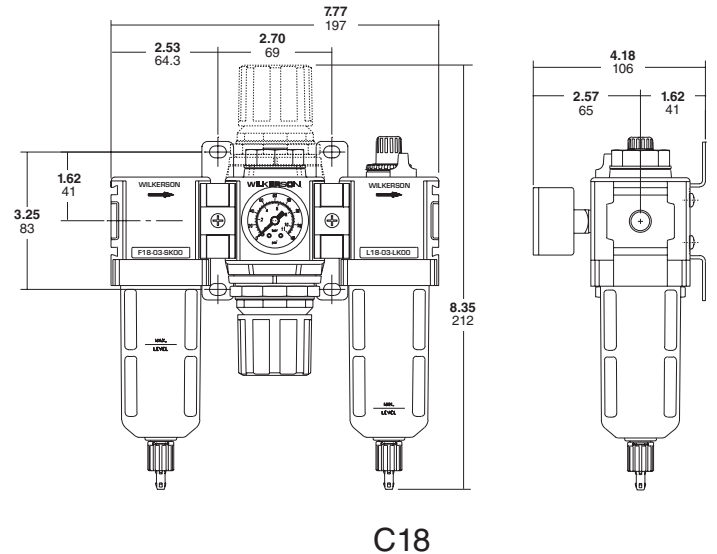
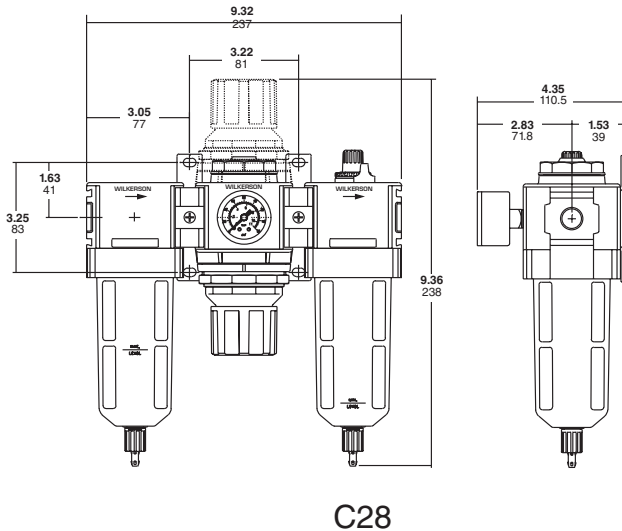
Specifications:

- Maximum Operating Temperature:
Plastic Bowl: 125° F (52° C)
- Maximum Supply Pressure
Plastic Bowl: 150 PSIG (10 bar)
- High Flow Capacity
C12: 1/8" 23 scfm 1/4" 40 scfm 3/8" 40 scfm
C18: 1/4" 102 scfm 3/8" 102 scfm 1/2" 102 scfm
C28: 1/4" 143 scfm 3/8" 123 scfm 1/2" 134 scfm



Materials of Construction:

- Body: Zinc
- Plastic Bowl: Polycarbonate
- Filter Element: Sintered Polyethylene
C12: Sintered Plastic
- Seals: Nitrile



Model Number	Series	Pipe Size	Spring Range	Type	Gauge	Description
C12-02-FKG0	SubCompact	1/4"	0-125 PSI	Relieving	0-160	Plastic bowl, w/guard, Manual drain, NPT Thread
C12-03-FKG0	SubCompact	3/8"	0-125 PSI	Relieving	0-160	Plastic bowl, w/guard, Manual drain, NPT Thread
C18-02-FKG0	Compact	1/4"	0-125 PSI	Relieving	0-160	Plastic bowl, w/guard, Manual drain, NPT Thread
C18-03-FKG0	Compact	3/8"	0-125 PSI	Relieving	0-160	Plastic bowl, w/guard, Manual drain, NPT Thread
C18-04-FKG0	Compact	1/2"	0-125 PSI	Relieving	0-160	Plastic bowl, w/guard, Manual drain, NPT Thread
C28-04-FKG0	Standard	1/2"	0-125 PSI	Relieving	0-160	Plastic bowl, w/guard, Manual drain, NPT Thread
C28-06-FKG0	Standard	3/4"	0-125 PSI	Relieving	0-160	Plastic bowl, w/guard, Manual drain, NPT Thread

See Page 3-12 for Wilkerson Accessories

AIR PREPARATION

Lubricators

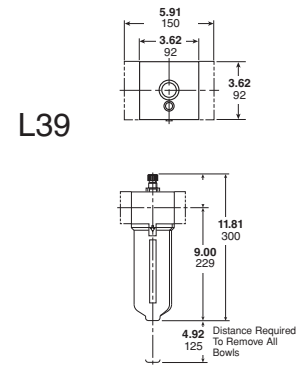
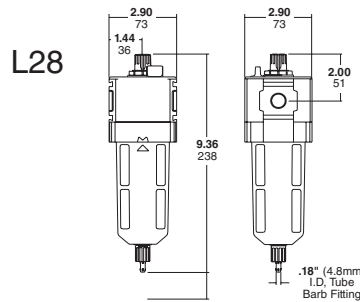
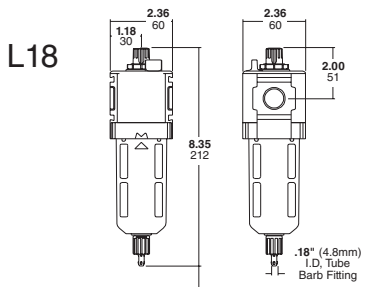
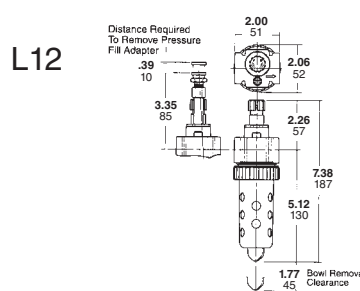
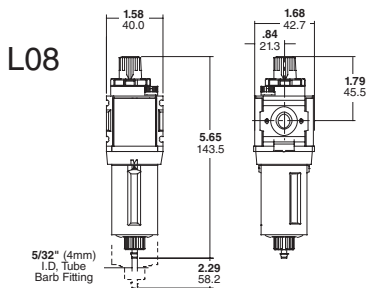
WILKERSON

Features:

- Integral clear sight dome & adjustment knob (L08, L18, L28 only)
- Transparent sight dome for 360 degree visibility & removable drip control knob (L12 and L39 only)
- Light weight
- Fillable under pressure (L08, L18, L28, L39 only)
- High flow capacity

Specifications:

- Maximum Operating Temperature:
Plastic Bowl: 125° F (52° C)
L39 Metal Bowl: 150° F (65.5° C)
- Maximum Supply Pressure
Plastic Bowl: 150 PSIG (10 bar)
L39 Metal Bowl: 150 PSIG (10 bar)
- High Flow Capacity
L08: 1/8" 23.5 scfm 1/4" 57.5 scfm
L12: 1/4" 40 scfm 3/8" 40 scfm
L18: 1/4" 88 scfm 3/8" 90 scfm 1/2" 96 scfm
L28: 1/2" 184 scfm 3/4" 200 scfm
L39: 3/4" 270 scfm



Materials of Construction:

- Body: Zinc / L39: Aluminum
- Plastic Bowl: Polycarbonate
- Metal Bowl: Zinc / L39: Aluminum
- Seals: Nitrile

3

Model Number	Series	Pipe Size	Description
L08-01-KK00	Miniature	1/8"	Plastic bowl, w/guard, Manual drain, NPT Thread
L08-02-KK00	Miniature	1/4"	Plastic bowl, w/guard, Manual drain, NPT Thread
L12-02-AK00	SubCompact	1/4"	Plastic bowl, w/guard, Manual drain, NPT Thread
L12-03-AK00	SubCompact	3/8"	Plastic bowl, w/guard, Manual drain, NPT Thread
L18-02-KK00	Compact	1/4"	Plastic bowl, w/guard, Manual drain, NPT Thread
L18-03-KK00	Compact	3/8"	Plastic bowl, w/guard, Manual drain, NPT Thread
L18-04-KK00	Compact	1/2"	Plastic bowl, w/guard, Manual drain, NPT Thread
L28-04-KK00	Standard	1/2"	Plastic bowl, w/guard, Manual drain, NPT Thread
L28-06-KK00	Standard	3/4"	Plastic bowl, w/guard, Manual drain, NPT Thread
L39-06-LD00	Jumbo	3/4"	Metal bowl, no guard, Manual drain, NPT Thread

See Page 3-12 for Wilkerson Accessories

AIR PREPARATION

Regulators - Wilkerson Corporation

WILKERSON



R18

Features:

- Balanced valve design (R08, R18, R28)
- Unbalanced poppet design (R03)
- Flush mounted pressure gauge (R08 only)
- Spring loaded diaphragm (R12, R18, R28, R39)
- Solid control piston (R03, R08)
- Reverse flow standard (R12 only)
- Reverse flow available (R08, R18, R28)

Materials of Construction:

- Body: Aluminum (R39)
Zinc (R03, R12, R18, R28)
- Seals: Nitrile

3

Model Number	Description	Pipe Size	High Flow Capacity	Supply Pressure	Max. Operating Temperature	Adjustment Pressure Range
R03-01-000	Miniature, Relieving, no gauge	1/8" NPT	13 SCFM	300 PSIG	125° F	2-125 PSIG
R03-02-000	Miniature, Relieving, no gauge	1/4" NPT	15 SCFM	300 PSIG	125° F	2-125 PSIG
R08-01-F0G0	Miniature, Relieving, w/gauge	1/8" NPT	29.2 SCFM	300 PSIG	150° F	0-125 PSIG
R08-02-F0G0	Miniature, Relieving, w/gauge	1/4" NPT	44 SCFM	300 PSIG	150° F	0-125 PSIG
R12-02-F0G0	SubCompact, Relieving, w/gauge	1/4" NPT	30 SCFM	250 PSIG	175° F	0-125 PSIG
R12-03-F0G0	SubCompact, Relieving, w/gauge	3/8" NPT	97 SCFM	250 PSIG	175° F	0-125 PSIG
R18-02-F0G0	Compact, Relieving, w/gauge	1/4" NPT	82 SCFM	300 PSIG	150° F	0-125 PSIG
R18-03-F0G0	Compact, Relieving, w/gauge	3/8" NPT	97 SCFM	300 PSIG	150° F	0-125 PSIG
R28-04-F0G0	Standard, Relieving, w/gauge	1/2" NPT	170 SCFM	300 PSIG	150° F	0-125 PSIG
R28-06-F0G0	Standard, Relieving, w/gauge	3/4" NPT	176 SCFM	300 PSIG	150° F	0-125 PSIG
R39-06-F000	Jumbo, Relieving, no gauge	3/4" NPT	491 SCFM	300 PSIG	175° F	0-125 PSIG
R39-08-F000	Jumbo, Relieving, no gauge	1" NPT	491 SCFM	300 PSIG	175° F	0-125 PSIG

To convert PSIG to BAR, divide PSIG by 14.5. Example: $\frac{300 \text{ PSIG}}{14.5} = 20.7 \text{ BAR}$

To convert °F to °C, divide °F by 2.3. Example: $\frac{150^\circ \text{ F}}{2.3} = 65.2^\circ \text{ C}$

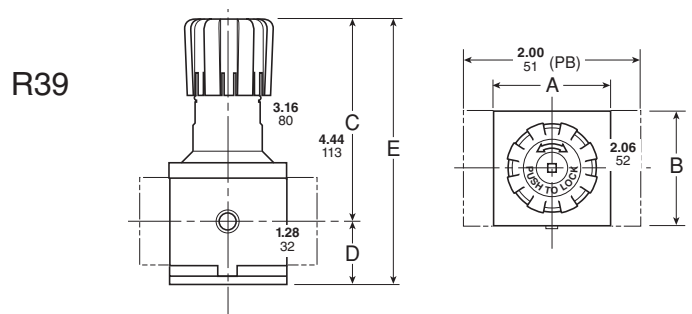
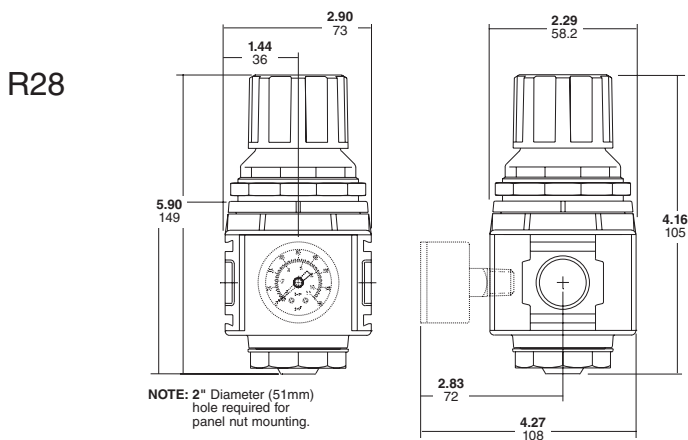
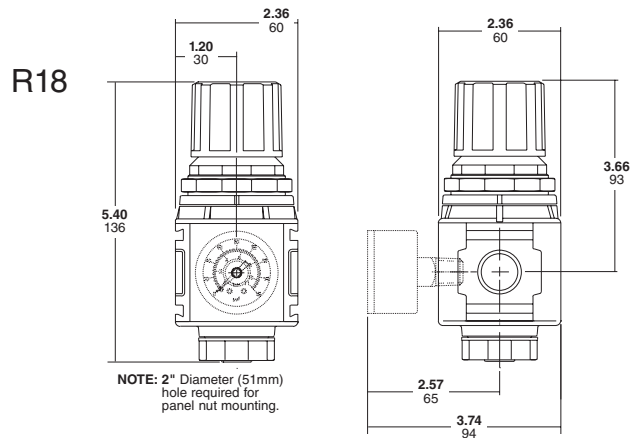
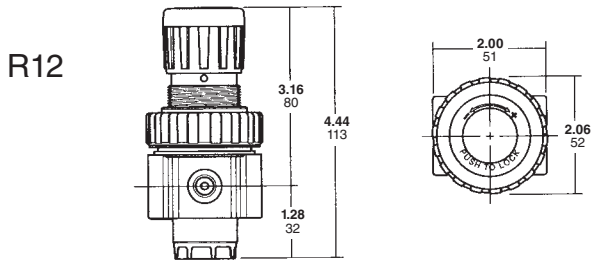
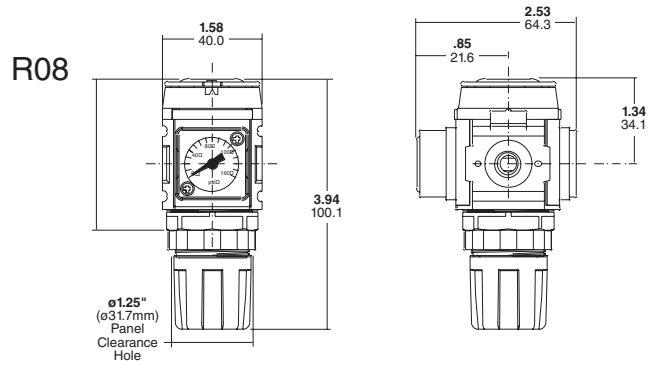
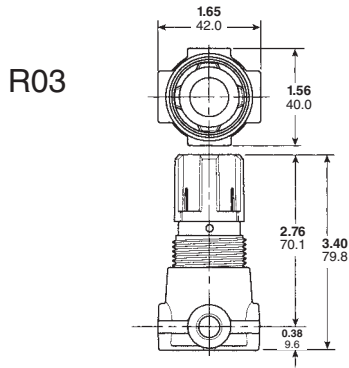
See Next Page for Dimensional Drawings

AIR PREPARATION

WILKERSON

Regulators - Wilkerson Corporation Continued from page 3-8

inches
mm



See Page 3-12 for Wilkerson Accessories

AIR PREPARATION

Precision Regulators - Wilkerson Corporation



P16

Features:

- Stable Output - Aspirator design minimizes “droop” at higher flow levels
- Accuracy - High diaphragm-to-valve-area ratio combined with unbalanced valve provides high precision with minimal initial pressure droop.
- Sensitive - Responds quickly to the slightest change in downstream pressure.
- Easy Maintenance - May be disassembled and serviced without removal from air line
- Modular Design - Available in a modular configuration to work with other Wilkerson modular units, accessories and options

Specifications:

- Maximum Operation Temperature: 175 degrees F (79 degrees C)
- Maximum Supply Pressure: 300 psig (21 bar)
- Flow Capacity: P15: 27.5 scfm
P16: 22.0 scfm

Materials of Construction:

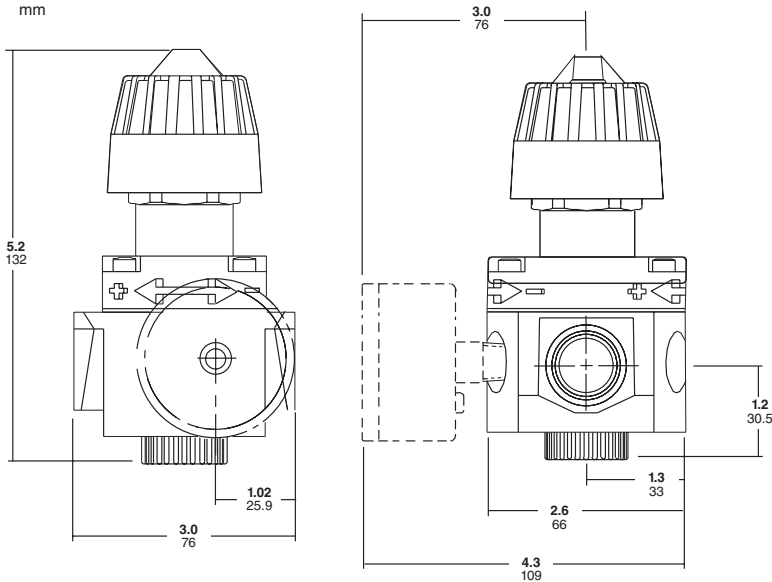
- Body: Zinc
- Valve Assembly: Brass/Nitrile
- Seals: Nitrile

WILKERSON



P17

inches
mm



Model Number	Type	Description
P16-02-000	Relieving	Standard Unit - 0-50 PSIG
P16-02-H00	Relieving	High Pressure, 0-125 PSIG
P17-02-F00	Relieving	High Pressure, 0-125 PSIG
P19-02-01Q	Relieving	High Pressure, 0-125 PSIG

Precision Regulator Accessories

Model Number	Description
K4520N14060	Pressure Gauge – 0-60 PSI
K4520N18030	Pressure Gauge – 0-30 PSI



P19

AIR PREPARATION

Safety Lockout Valves - Wilkerson Corporation

Features:

- Conforms to OSHA regulation
- Exhausts downstream air when closed
- Compact modular design is part of the 08/18/28/38 series
- Lockable in the closed position
1/4" to 3/4" NPT or G ports available

Materials of Construction:

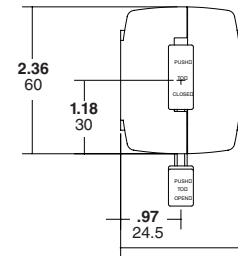
- Body: Zinc
- Blade: Acetal
- Seals: Nitrile



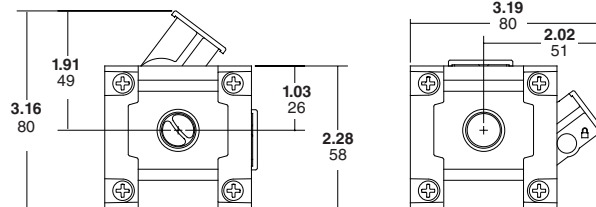
Specifications:

- Maximum Operating Temperature: 150 F (65,5 C)
- Maximum Supply Pressure: 150 psig (10,3 bar)
- Flow Capacity:
 - V18: 1/4" 141 scfm 3/8" 216 scfm 1/2" 272 scfm
 - V28: 3/8" 208 scfm 1/2" 290 scfm 3/4" 300 scfm
 - V08: 1/8" 55 scfm 1/4" 100 scfm

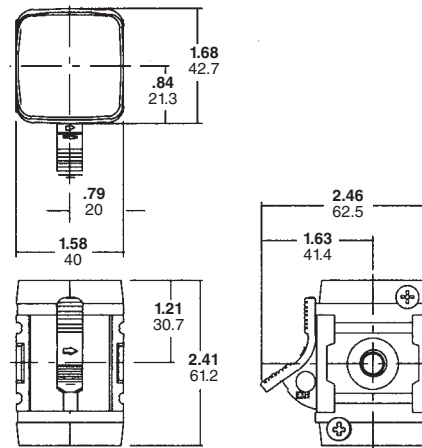
V18



inches
mm



V08

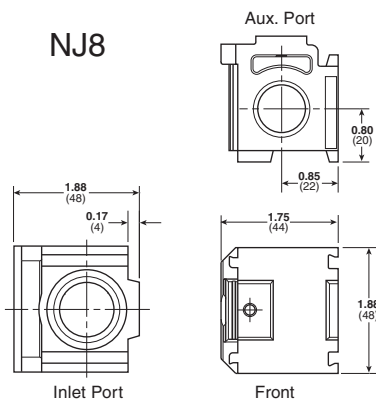


Model Number	Series	Description
V08-02-0000	SubCompact	1/4" Pipe, NPT Thread
V12-03-0000	Compact	3/8" Pipe, NPT Thread
V18-02-0000	Compact	1/4" Pipe, NPT Thread
V18-03-0000	Compact	3/8" Pipe, NPT Thread
V18-04-0000	Compact	1/2" Pipe, NPT Thread
V28-06-0000	Standard	3/4" Pipe, NPT Thread

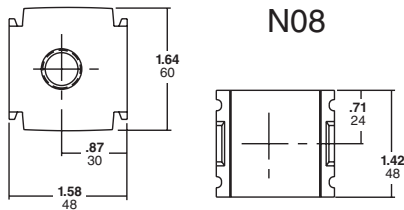
AIR PREPARATION

Accessories

NJ8

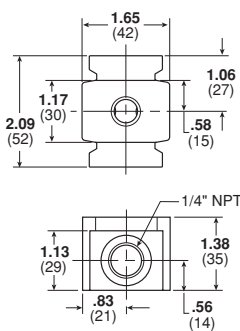
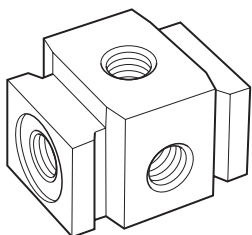


inches
mm

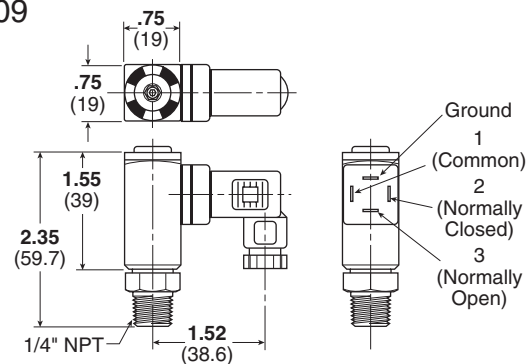


N08

N12



P01909



Model No.	For Use On Series	Accessory
GPA-96-737	08	T Bracket w/Joiner
GPA-96-738	08	Joiner Set
K4515N18160	03/08	1-1/2" Gauge, 0-160 PSI
K4515N18060	03/08	1-1/2" Gauge, 0-60 PSI
GRP-96-739	08	L Bracket
N08-02-0000	08	Diverter Block - (2) - 1/4" Auxiliary ports, NPT Thread, No valve
GPA-96-310	12	Body Connector
GPA-96-312	12	Body Connector/Wall Mounting Kit
N12-02-0000	12	Modular Manifold Block - (3) - 1/4" NPT Auxiliary Port
GPA-96-606	18	L Bracket
P01909	18	Pressure Switch - 1/4" pipe, DIN Connector, 125-250 VAC, 12-24 VDC, 5 amp
NJ8-06-C000	18	Diverter Block - 3/8" Auxiliary port, 3/4" In/Out pipe, No valve
GPA-96-601	18/28	Joiner Set
GPA-96-602	18/28	T Bracket
GPA-96-603	18/28	T Bracket w/Joiner Set
GPA-96-607	28	L Bracket
K4520N14160	18/28/39	2" Gauge, 0-160 PSI
PS417B	03	Nut
P78652	03	Nut

AIR PREPARATION



QUBE Modular FRL System

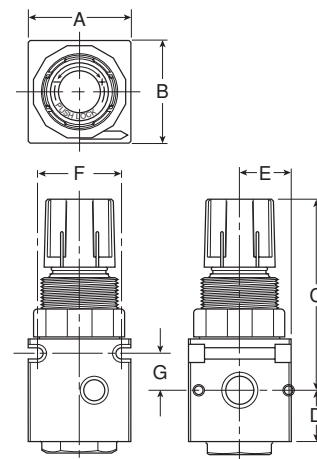
Designed for Total Flexibility, High Performance and Unlimited Expandability

R35 Regulator



Features and Specifications:

- Compact size
- Nearly double the flow capacity of standard miniature regulators; reduces costly pressure drop
- Connects to other QUBE units using just screws and O-rings (included)
- Piston operated for high flow and low pressure drop
- Panel mountable
- High Flow: 1/8" – 30 SCFM, 1/4" – 40 SCFM
- Pressure and temperature ratings:
0 to 150 psig (0 to 10.2 bar)
40°F to 120°F (4.4°C to 48.9°C)
- Flush surface design allows clean through panel mounting for OEMs



Model No.	Port Size, NPT Relieving
Without Gauge, 0–125 psig, Reduced Pressure	
R35-01C	1/8"
R35-02C	1/4"
With Gauge, 0–125 psig, Reduced Pressure	
R35-01CG	1/8"
R35-02CG	1/4"

R35 Regulator Dimensions [inches (mm)]						
A	B	C	D	E	F	G
1.59	1.59	2.98	1.11	0.80	1.31	0.58
(40,6)	(40,6)	(75,7)	(28,2)	(20,3)	(33,3)	(14,6)

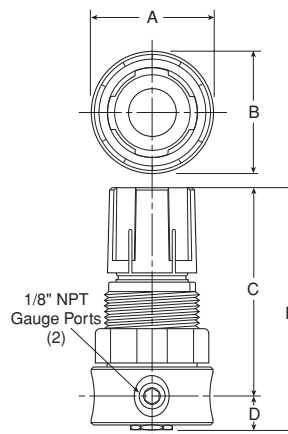
R364/R374 Miniature Regulators



Features and Specifications:

- High flow and high sensitivity
- Can be used for water service
- Unbalanced poppet standard
- Diaphragm-operated for fast response
- Non-rising adjusting knob
- High Flow: 10 SCFM (air), 1.25 GPM (water)

Model No.	Port Size NPT
Brass	
R364-01C	1/8"
R364-02C	1/4"
Aluminum	
R374-01C	1/8"
R374-02C	1/4"



R364, R374 Regulator Dimensions [inches (mm)]				
A	B	C	D	E
1.56	1.56	2.56	0.50	3.06
(39,7)	(39,7)	(65,1)	(12,7)	(77,8)

Note: X42 Option available — constant bleed interval for improved sensitivity & accuracy

See Page 3-16 for Watts Gauges and Accessories

AIR PREPARATION



Watts FluidAir

B35 Integral Filter/Regulator

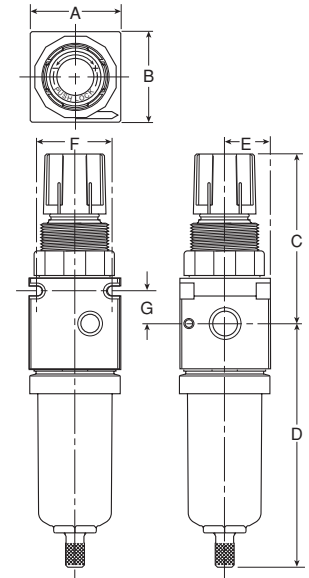


Features and Specifications:

- 20 micron filter element standard, 5 micron available
- Transparent polyurethane bowl standard
- Manual twist drain standard
- Large bowl capacity: 1.5 ounce
- High Flow: 1/8" and 1/4" – -35 SCFM
- Pressure and temperature ratings of polyurethane bowl:
0 to 150 psig (0 to 10.2 bar)
40°F to 120°F (4.4°C to 48.9°C)
- Flush surface design allows clean through panel mounting for OEMs

Model No.	NPT	Operating Pressure
B35-01AHC	1/8"	0–125 psig
B35-02AHC	1/4"	0–125 psig

B35 Internal Filter/Regulator Dimensions [inches (mm)]						
A	B	C	D	E	F	G
1.59	1.59	2.98	4.23	0.80	1.31	0.58
(40,6)	(40,6)	(75,7)	(107,5)	(20,3)	(33,3)	(14,6)



F35 Filter

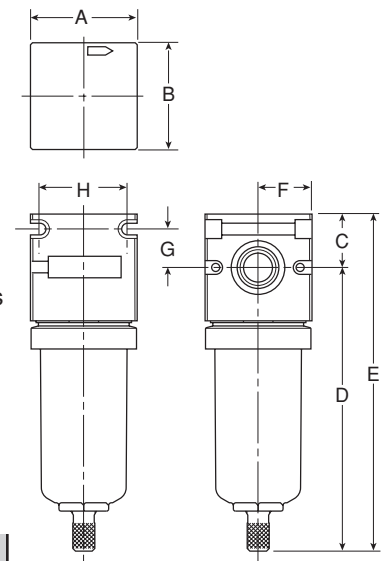


Features and Specifications:

- 20 micron filter element standard, 5 micron available
- Transparent polyurethane bowl standard
- Manual twist drain standard
- Large bowl capacity: 1.5 ounce
- High Flow: 1/8" – 32 SCFM and 1/4" – 38 SCFM
- Pressure and temperature ratings of polyurethane bowl:
0 to 150 psig (0 to 10.2 bar)
40°F to 120°F (4.4°C to 48.9°C)
- Flush surface design allows clean through panel mounting for OEMs

Model No.	NPT
F35-01AH	1/8"
F35-02AH	1/4"

F35 Filter Dimensions [inches (mm)]						
A	B	C	D	E	F	G
1.59	1.59	0.81	4.25	0.80	1.31	0.58
(40,6)	(40,6)	(20,6)	(107,9)	(20,3)	(33,3)	(14,6)



See Page 3-16 for Watts Gauges and Accessories

AIR PREPARATION

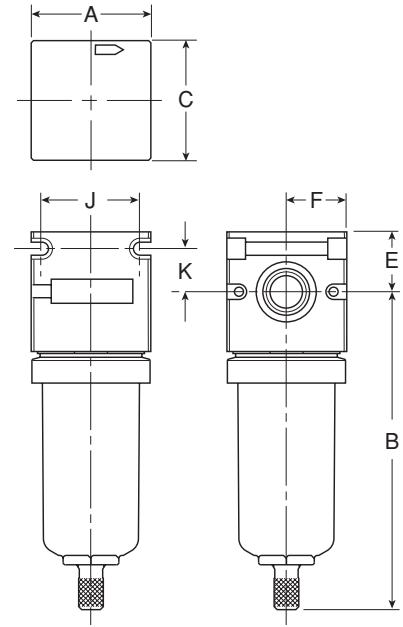


F31 Coalescing Filter



Features and Specifications:

- Removes oil and water aerosols, as well as particulate matter down to 0.01 micron
- Transparent polyurethane bowl standard
- Manual twist drain standard
- Large bowl capacity: 1.5 ounce
- High Flow: 1/8" and 1/4" – 20 SCFM
- Pressure and temperature ratings of polyurethane bowl:
0 to 150 psig (0 to 10.2 bar)
40°F to 120°F (4.4°C to 48.9°C)



Model No.	NPT
F31-01AH	1/8"
F31-02AH	1/4"

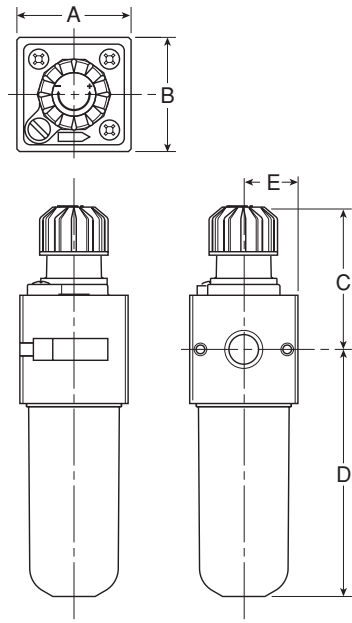
F31 Coalescing Filter Dimensions [inches (mm)]						
A	B	C	D	E	F	G
1.59	1.59	0.81	4.25	0.79	1.31	0.58
(40,6)	(40,6)	(20,6)	(107,9)	(20,2)	(33,3)	(14,7)

L35 Lubricator



Features and Specifications:

- Transparent polyurethane bowl standard
- Precision needle valve assures repeatable oil delivery and provides simple adjustment of delivery rate
- Large capacity bowl: 1.5 ounce
- High Flow: 1/8" – 23 SCFM and 1/4" – 45 SCFM
- Pressure and temperature ratings for plastic bowl:
0 to 150 psig (0 to 10.2 bar)
40°F to 120°F (4.4°C to 48.9°C)



Model No.	NPT
L35-01A	1/8"
L35-02A	1/4"

L35 Lubricator Dimensions [inches (mm)]				
A	B	C	D	E
1.59	1.59	2.09	3.66	0.80
(40,6)	(40,6)	(53,5)	(92,8)	(20,3)

AIR PREPARATION

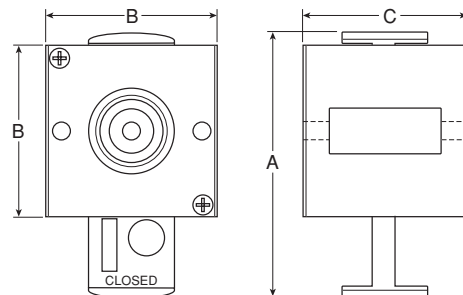


SV Shut-off Valve



Features and Specifications:

- Accepts customer-supplied standard single padlock or safety lock for multiple lockout
- Conforms to OSHA standard 29 CFR Part 10
- 3-port, 2-position shutoff valve relieves downstream pressure when closed
- Maximum pressure: 300 psig



Model No.	NPT
SV35-01	1/8"
SV35-02	1/4"

SV Shut-off Valve Dimensions [inches (mm)]				Weight
Series	A	B	C	
SV35	2.50 (63,5)	1.63 (41,3)	1.56 (39,7)	0.78 lb. 0.35 kg.

Kit includes: 2 machine screws and 2 O-rings for mounting.

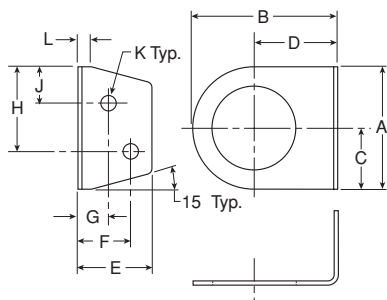
Gauges and Accessories

Model No.	Description
K4515N18160	Gauge, 1-1/2" dial, 1/8" back connection, 0-160 psig (0-11 bar)
SA161X57	Mounting bracket kit
R05X51-P	Panel mount nut, plastic



SA 161X57 Mounting Bracket Kit

(Comes with R05X51-P Panel Nut)



Dimensions

A	B	C	D	E	F	G	H	J	K	L	M	Kit
1.75 (44)	2.06 (53)	0.88 (22)	1.19 (30)	1.06 (27)	0.75 (19)	0.44 (11)	1.22 (31)	0.53 (13)	0.22 (6)	0.19 (5)	—	161X57

Inches (mm)
Note: All dimensions nominal.